

DIY AQUARIUM NET COVER

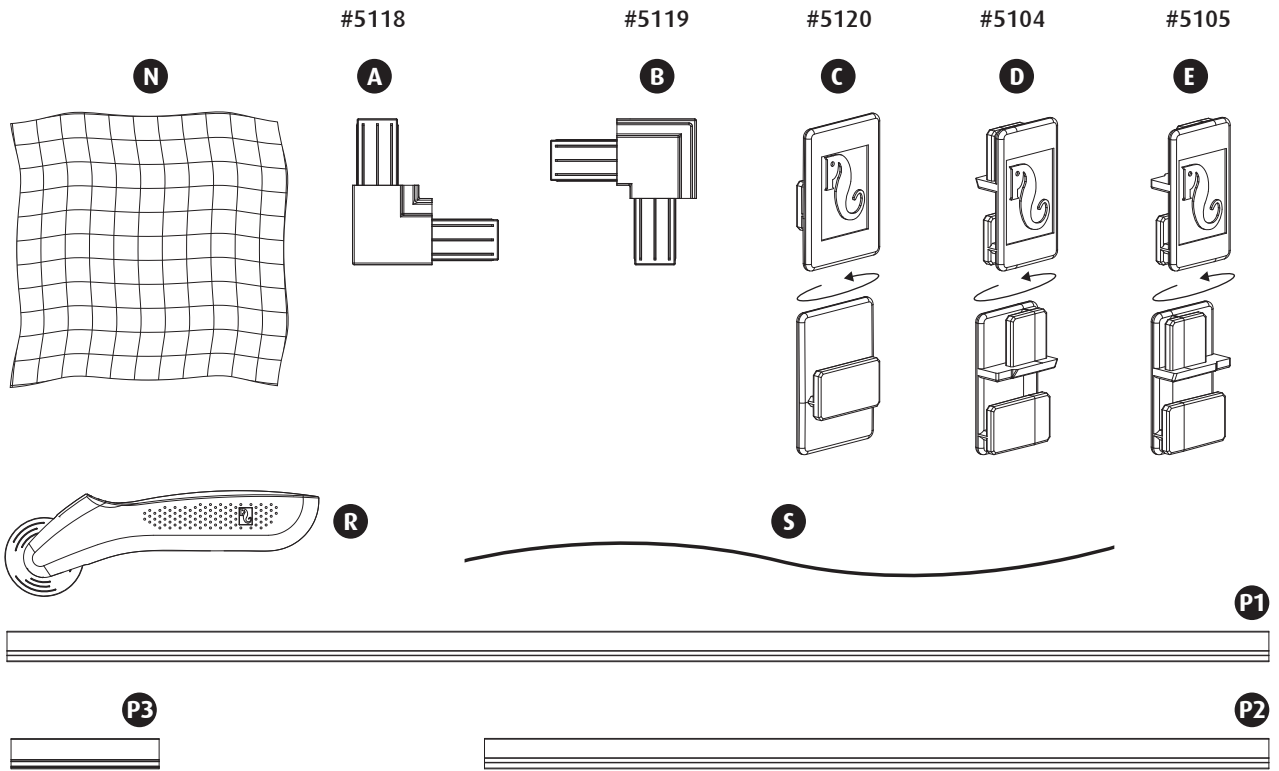
REEFER S 700 G2+

- EN** Profile Cutting Guide
- DE** Profilschneideanleitung
- FR** Guide de découpe
- CH** 型材裁切指南
- JP** フレームカッティングガイド



Resource & Support Center:
www.redseafish.com/support/

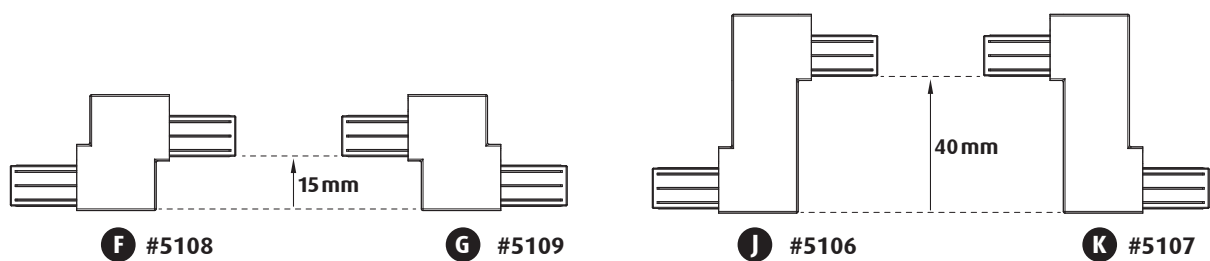




| ITEM | A | B | C | D | E | P1 | P2 | P3 | S | N | R |
|--------|----|---|----|---|---|---------------------------|--------------------------|-------------------------|---------------|---------------|---|
| R42080 | 6 | 2 | 4 | - | - | 57cm/ 22.4" x4 | - | 10cm/ 3.9" x2 | 4m/ 13.1ft | 2m/ 6.5ft | ✓ |
| R42081 | 6 | 2 | 4 | 1 | 1 | 88cm/ 34.6" x2 | 57cm/ 22.4" x3 | 10cm/ 3.9" x2 | 6m/ 19.6ft | 3m/ 9.8ft | ✓ |
| R42082 | 6 | 2 | 6 | 1 | 1 | 118cm/ 46.4" x2 | 75cm/ 29.5" x3 | 10cm/ 3.9" x2 | 6m/ 19.6ft | 3m/ 9.8ft | ✓ |
| R42083 | 10 | 2 | 10 | 2 | 2 | 149cm/ 58.6" x2 | 75cm/ 29.5" x4 | 10cm/ 3.9" x2 | 8m/ 26.2ft | 4m/ 13.1ft | ✓ |
| R42084 | 10 | 2 | 10 | 3 | 3 | 179cm/ 70.4" x2 | 75cm/ 29.5" x5 | 10cm/ 3.9" x2 | 8m/ 26.2ft | 4m/ 13.1ft | ✓ |
| R42087 | - | - | 4 | - | - | | | | | | |

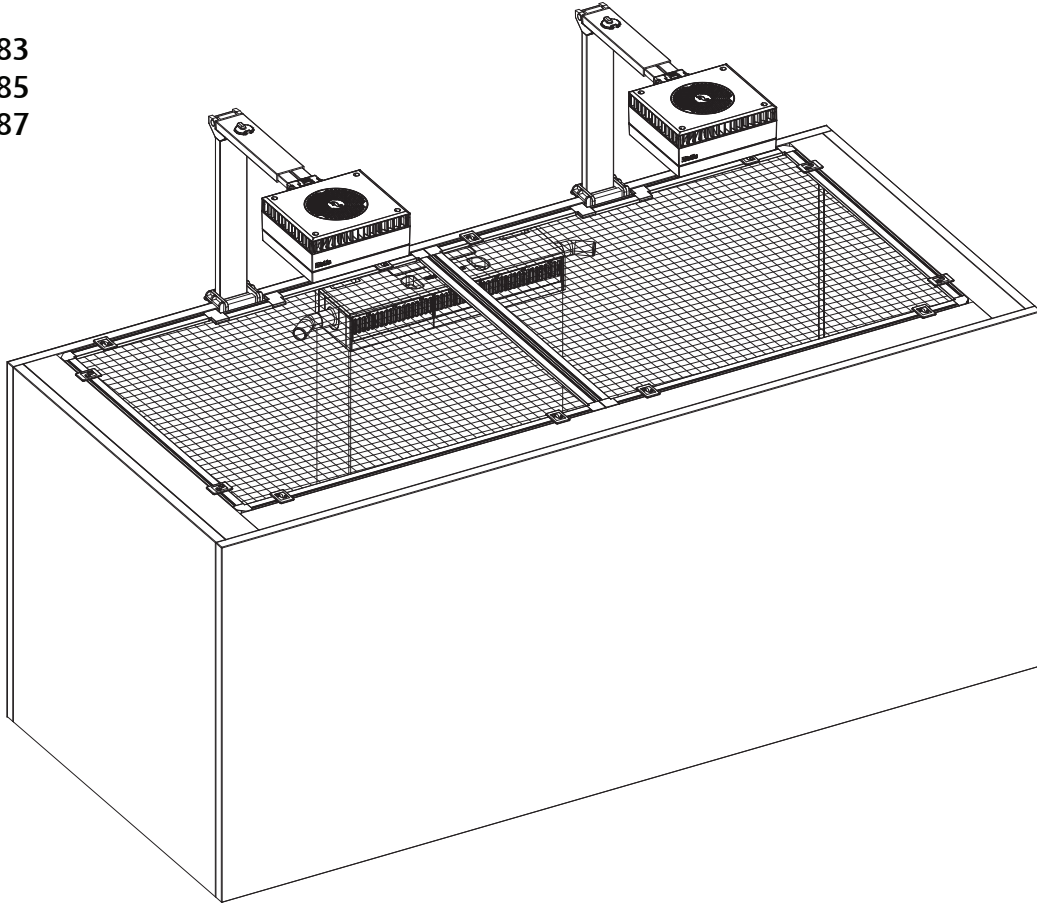
R42085

NOT INCLUDED / NICHT ENTHALTEN / NON FOURNI / 不包含 / 付属していません

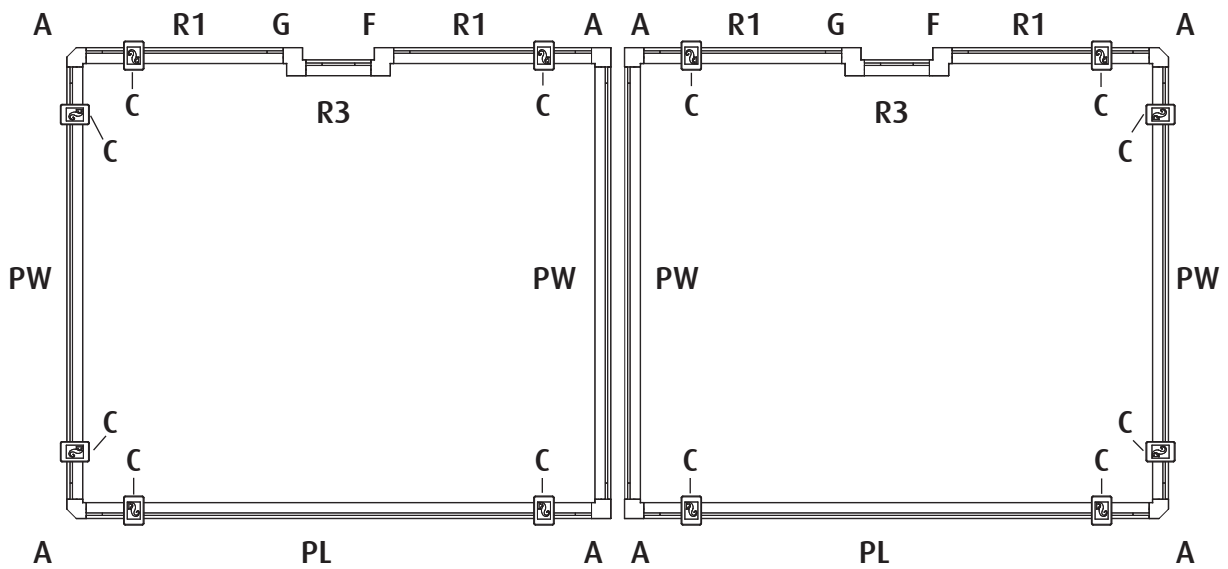


2x ReefLED®

- 1x R42083
- 2x R42085
- 1x R42087



2 Panels / 2 panneaux / 2 Elemente / 网屏2 / 2パネル

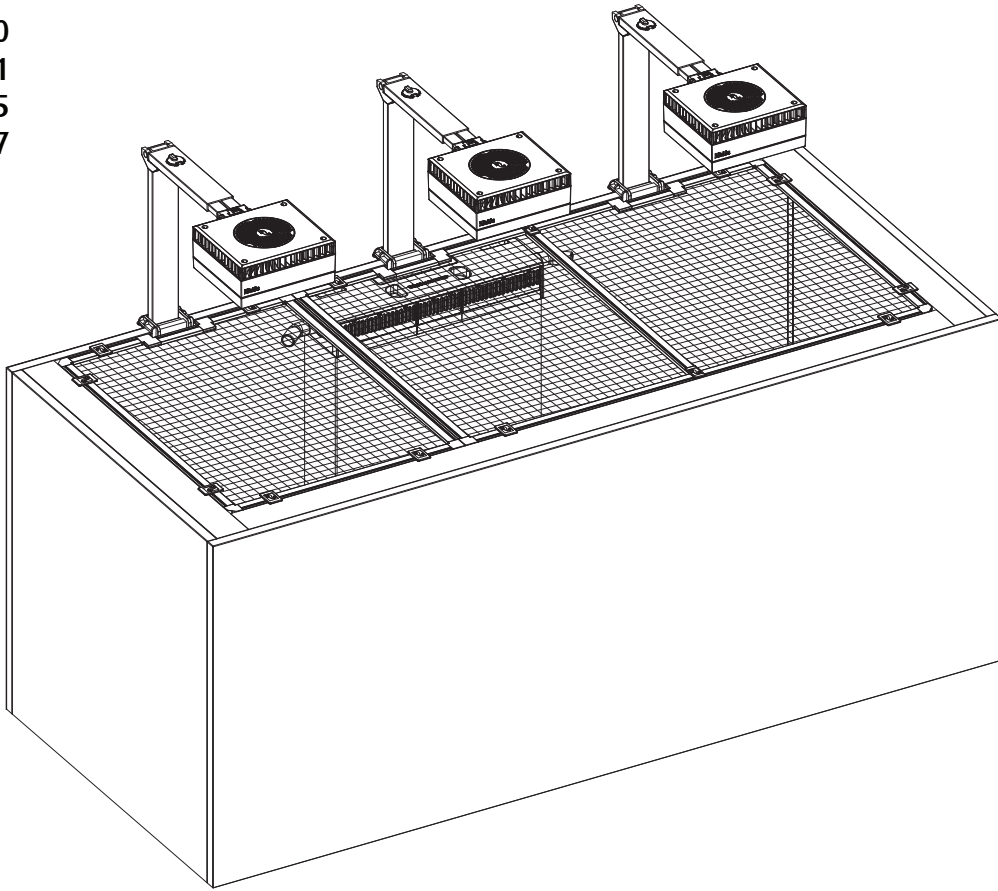


Cutting guide
 Guide de découpes
 Schnittanleitung
 裁切指南
 カッティングガイド

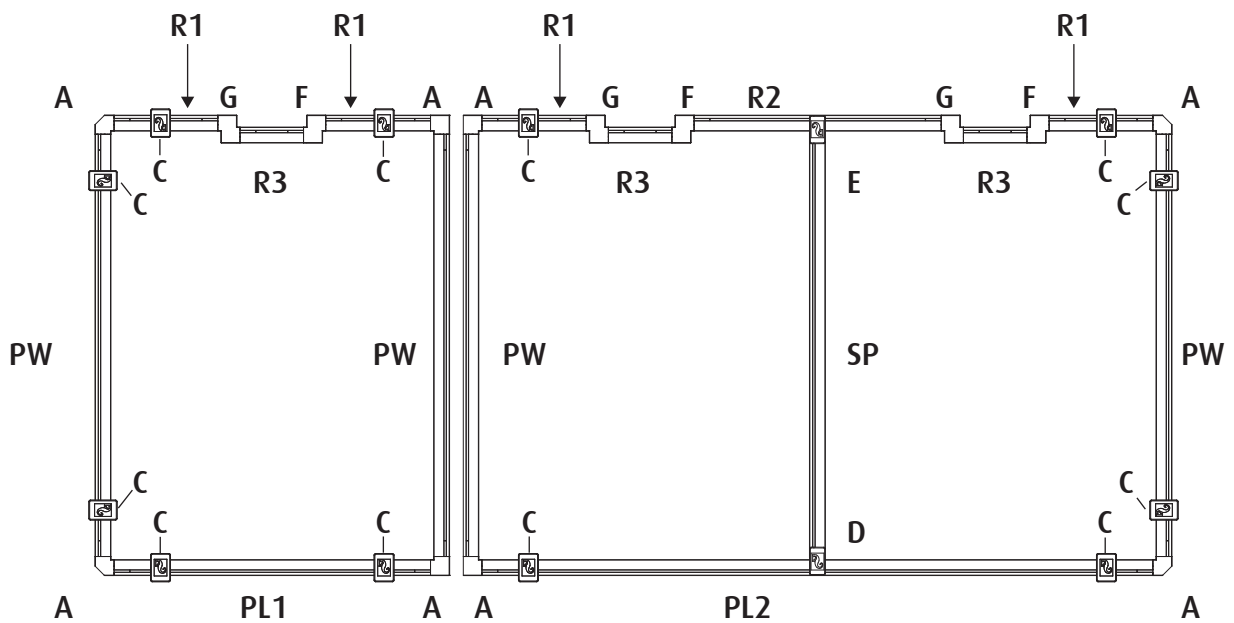
| Profile Profil Profile 型材 フレーム | Cut 1 Couper 1 Schnitt 1 裁切 1 カット1 | Cut 2 Couper 2 Schnitt 2 裁切 2 カット2 | Cut 3 Couper 3 Schnitt 3 裁切 3 カット3 | Cut 4 Couper 4 Schnitt 4 裁切 4 カット4 |
|-----------------------------------------------------------|---------------------------------------------------|-------------------------------------------------|-------------------------------------------------|-------------------------------------------------|
| P1 - R42083 1490mm/ 58 ²¹ / ₃₂ " | PL - 622mm/ 24 ¹ / ₂ " | PL - 622mm/ 24 ¹ / ₂ " | | |
| P1 - R42083 1490mm/ 58 ²¹ / ₃₂ " | R1 - 243mm/ 9 ⁹ / ₁₆ " | R1 - 243mm/ 9 ⁹ / ₁₆ " | R1 - 243mm/ 9 ⁹ / ₁₆ " | R1 - 243mm/ 9 ⁹ / ₁₆ " |
| P2 - R42083 750mm/ 29 ¹⁷ / ₃₂ " | PW - 532mm/ 20 ¹⁵ / ₁₆ " | | | |
| P2 - R42083 750mm/ 29 ¹⁷ / ₃₂ " | PW - 532mm/ 20 ¹⁵ / ₁₆ " | | | |
| P2 - R42083 750mm/ 29 ¹⁷ / ₃₂ " | PW - 532mm/ 20 ¹⁵ / ₁₆ " | | | |
| P2 - R42083 750mm/ 29 ¹⁷ / ₃₂ " | PW - 532mm/ 20 ¹⁵ / ₁₆ " | | | |
| P3 - R42083 100mm/ 3 ¹⁵ / ₁₆ " | R3 - 80mm/ 3 ⁵ / ₃₂ " | | | |
| P3 - R42083 100mm/ 3 ¹⁵ / ₁₆ " | R3 - 80mm/ 3 ⁵ / ₃₂ " | | | |

3x ReefLED®

- 1x R42080
- 1x R42081
- 3x R42085
- 1x R42087



2 Panels / 2 panneaux / 2 Elemente / 网屏2 / 2パネル



Cutting guide
 Guide de découpes
 Schnittanleitung
 裁切指南
 カッティングガイド

| Profile Profil Profile 型材 フレーム | Cut 1 Couper 1 Schnitt 1 裁切 1 カット1 | Cut 2 Couper 2 Schnitt 2 裁切 2 カット2 |
|----------------------------------------------------------|-------------------------------------------------|------------------------------------------------|
| P1 - R42081 880mm/ 34 ²¹ / ₃₂ " | PL2 - 846mm/ 33 ⁵ / ₁₆ " | |
| P1 - R42081 880mm/ 34 ²¹ / ₃₂ " | SP - 535mm/ 21 ¹ / ₁₆ " | R1 - 131mm/ 5 ⁵ / ₃₂ " |
| P2 - R42081 570mm/ 22 ⁷ / ₁₆ " | R2 - 312mm/ 12 ⁹ / ₃₂ " | R1 - 131mm/ 5 ⁵ / ₃₂ " |
| P2 - R42081 570mm/ 22 ⁷ / ₁₆ " | PW - 532mm/ 20 ¹⁵ / ₁₆ " | |
| P2 - R42081 570mm/ 22 ⁷ / ₁₆ " | PW - 532mm/ 20 ¹⁵ / ₁₆ " | |
| "P3 - R42081 100mm/ 3 ¹⁵ / ₁₆ " | R3 - 80mm/ 3 ⁵ / ₃₂ " | |
| "P3 - R42081 100mm/ 3 ¹⁵ / ₁₆ " | R3 - 80mm/ 3 ⁵ / ₃₂ " | |
| | | |
| P1 - R42080 570mm/ 22 ⁷ / ₁₆ " | PL1 - 398mm/ 15 ²¹ / ₃₂ " | |
| P1 - R42080 570mm/ 22 ⁷ / ₁₆ " | PW - 532mm/ 20 ¹⁵ / ₁₆ " | |
| P1 - R42080 570mm/ 22 ⁷ / ₁₆ " | PW - 532mm/ 20 ¹⁵ / ₁₆ " | |
| P1 - R42080 570mm/ 22 ⁷ / ₁₆ " | R1 - 131mm/ 5 ⁵ / ₃₂ " | R1 - 131mm/ 5 ⁵ / ₃₂ " |
| P3 - R42080 100mm/ 3 ¹⁵ / ₁₆ " | R3 - 80mm/ 3 ⁵ / ₃₂ " | |

North America

Red Sea U.S.A & Canada
 4687 World Houston
 Parkway #150
 Houston, TX 77032, U.S.A
 Tel. : +1-888-RED-SEA9
 usa.info@redseafish.com

UK & Ireland

Red Sea Aquatics (UK) Ltd
 PO Box 1237
 Cheddar, BS279AG
 Tel. : +44 (0) 203 3711437
 Fax : +44 (0) 800 0073169
 uk.info@redseafish.com

Europe

Red Sea Europe
 ZA de la St-Denis
 F-27130 Verneuil s/Avre,
 France
 Tel: (33) 2 32 37 71 37
 eur.info@redseafish.com

Germany & Austria

Red Sea Deutschland
 Büro Deutschland
 Prinzenallee 7 (Prinzenpark)
 40549 Düsseldorf
 Tel: 0211-52391 481
 info.de@redseafish.com

Asia Pacific

Red Sea Aquatics Ltd
 2310 Dominion Centre
 43-59 Queen's Road East
 Hong Kong
 Tel: +86-020-6625 3828
 info.china@redseafish.com

China

Red Sea Aquatics (GZ) Ltd.
 Block 2-4, No.168, West Yingbin
 Road, Xinhua Industrial Park,
 Huadu District, Guangzhou City,
 China, Postal code 510812
 Tel: +86-020-6625 3828
 info.china@redseafish.com