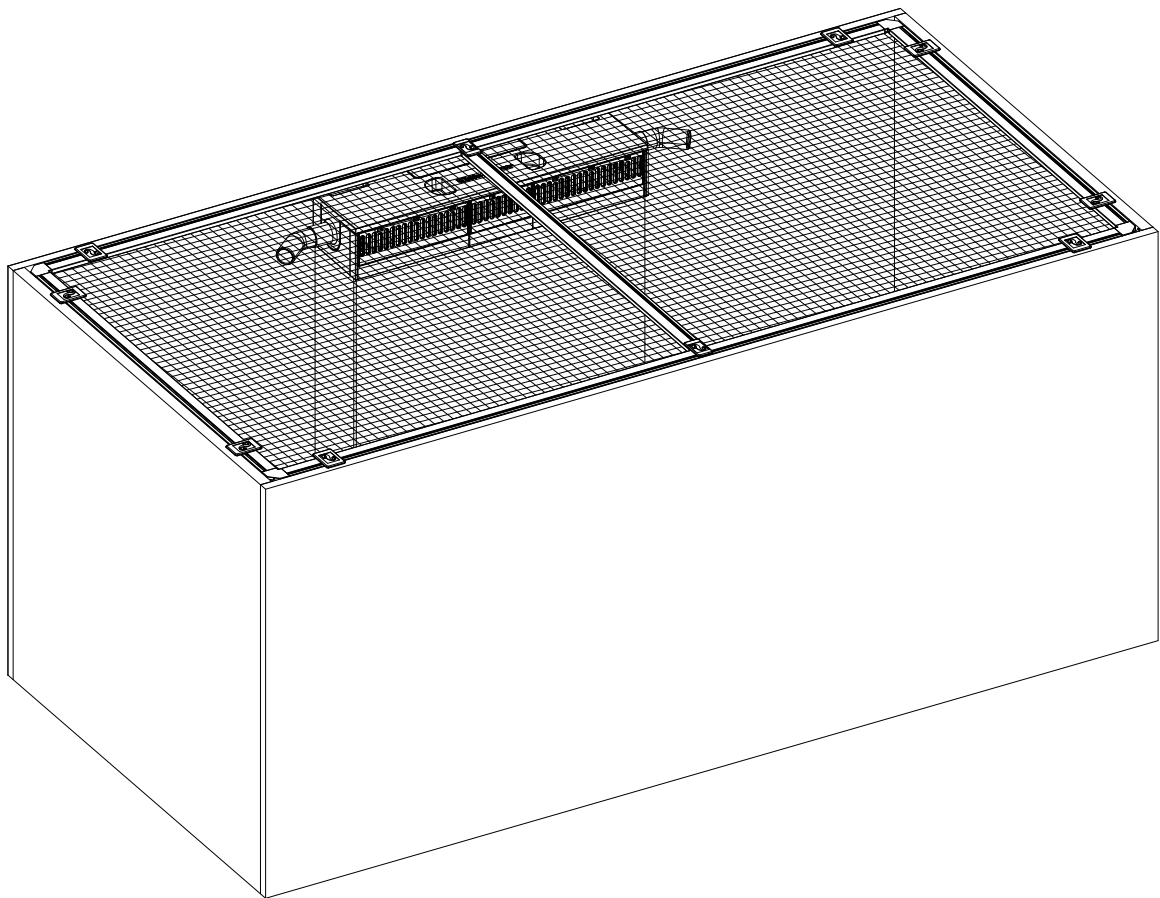


DIY AQUARIUM NET COVER

- EN** Assembly Manual
- DE** Montageanleitung
- FR** Notice de montage
- CH** 组装说明书
- JP** 組み立てマニュアル



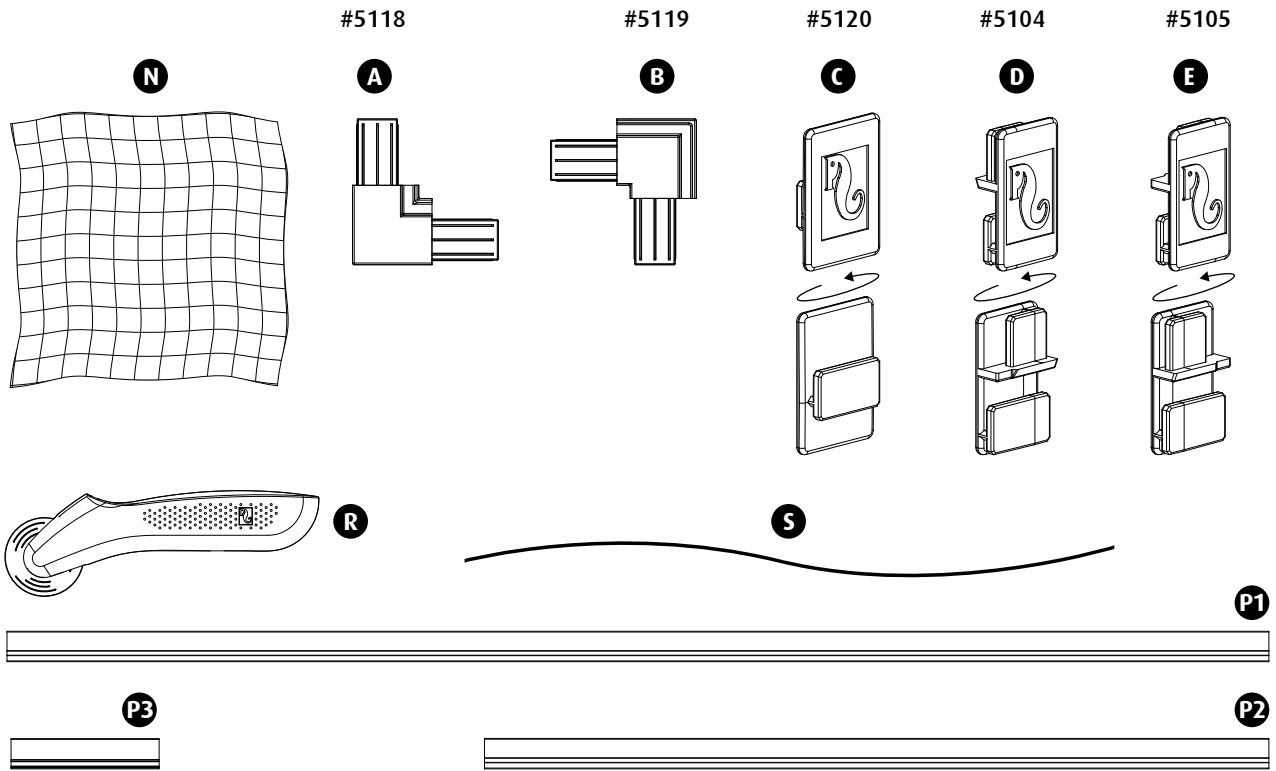


Scan for profile cutting guide for Red Sea aquariums

- DE** Scannen für Profilschnittanleitung für Red Sea Aquarien
- FR** Scannez pour obtenir le guide de découpe des profilés pour les aquariums Red Sea
- JP** スキャンしてレッドシー水槽のカッティングガイドをご参照ください



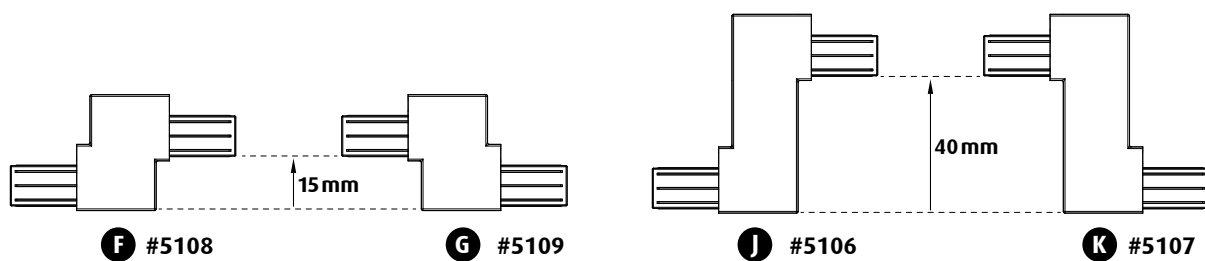
扫码获取红海水族
箱的型材裁切指南

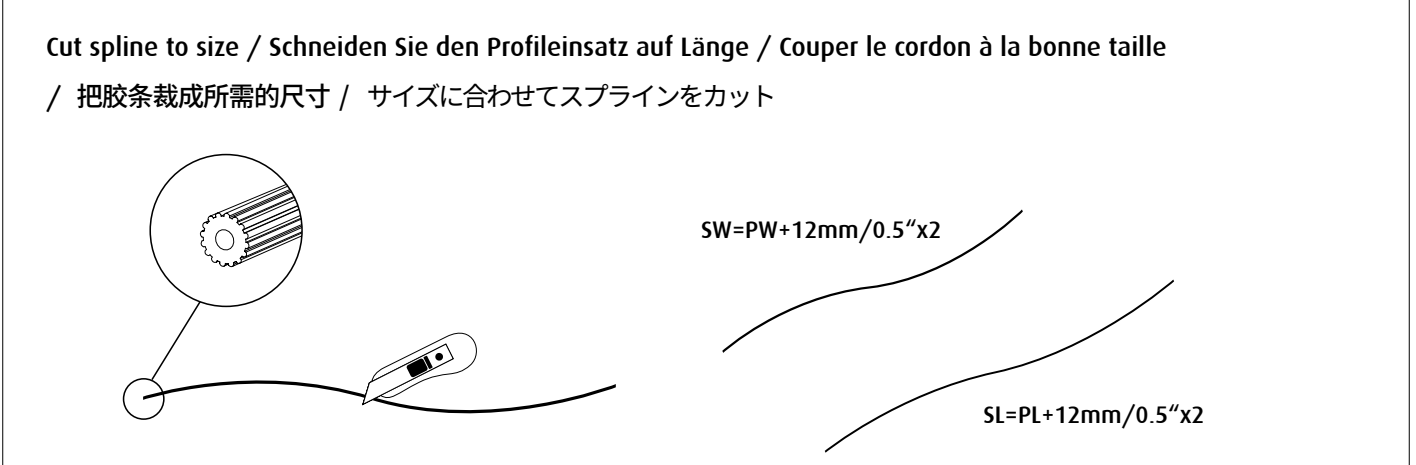
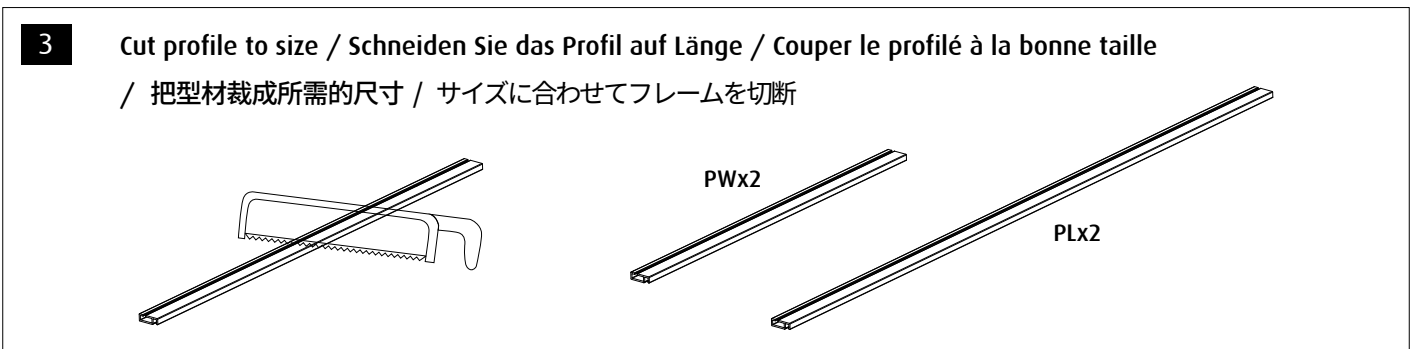
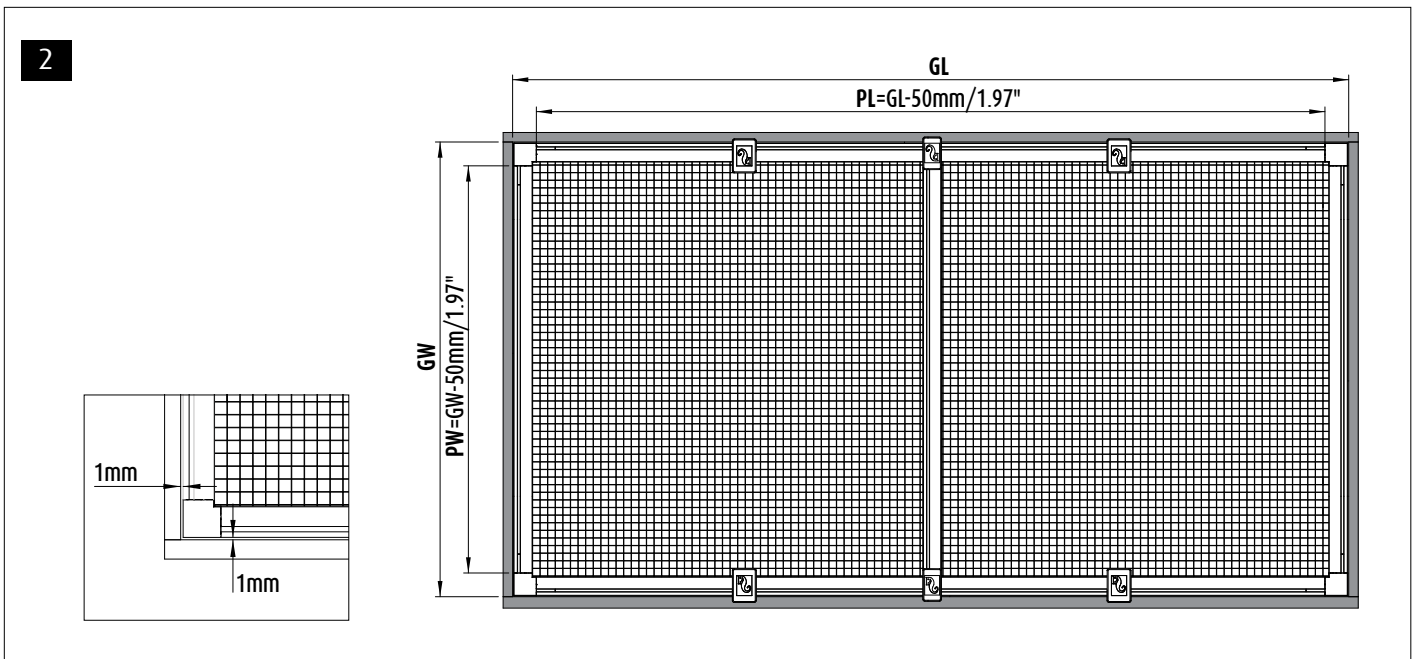
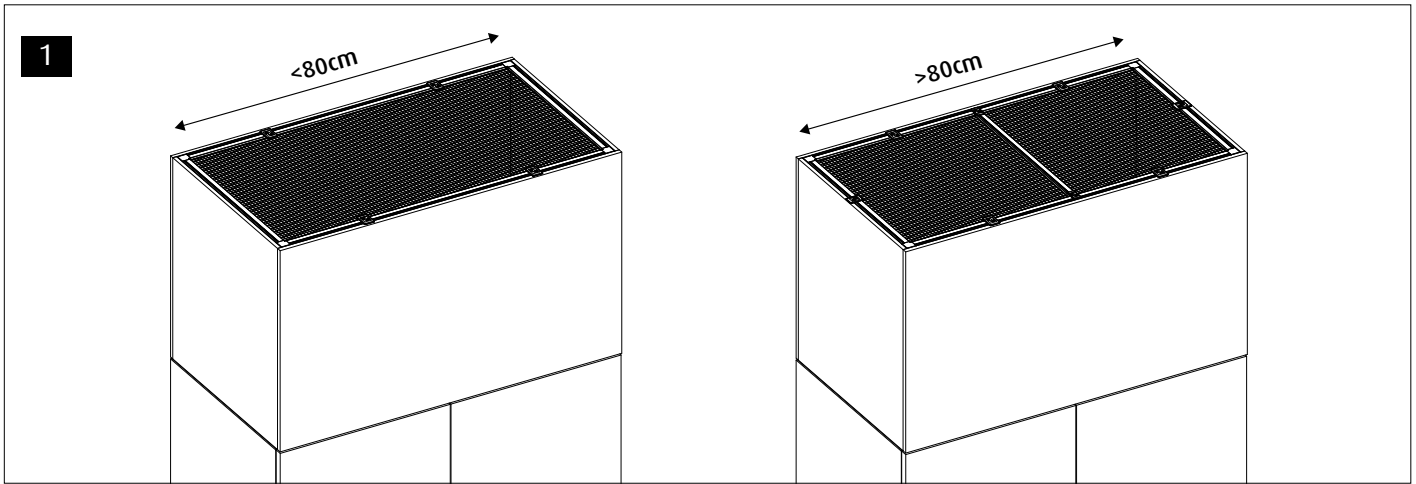


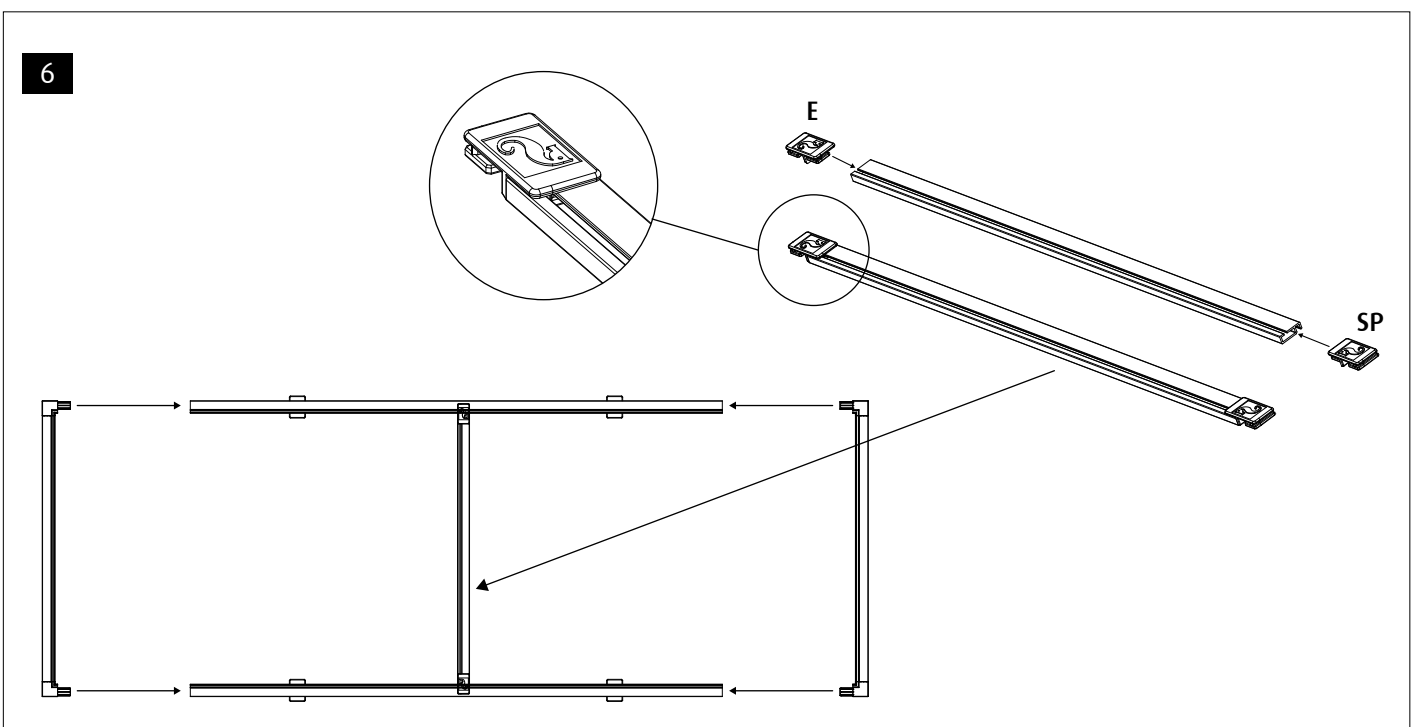
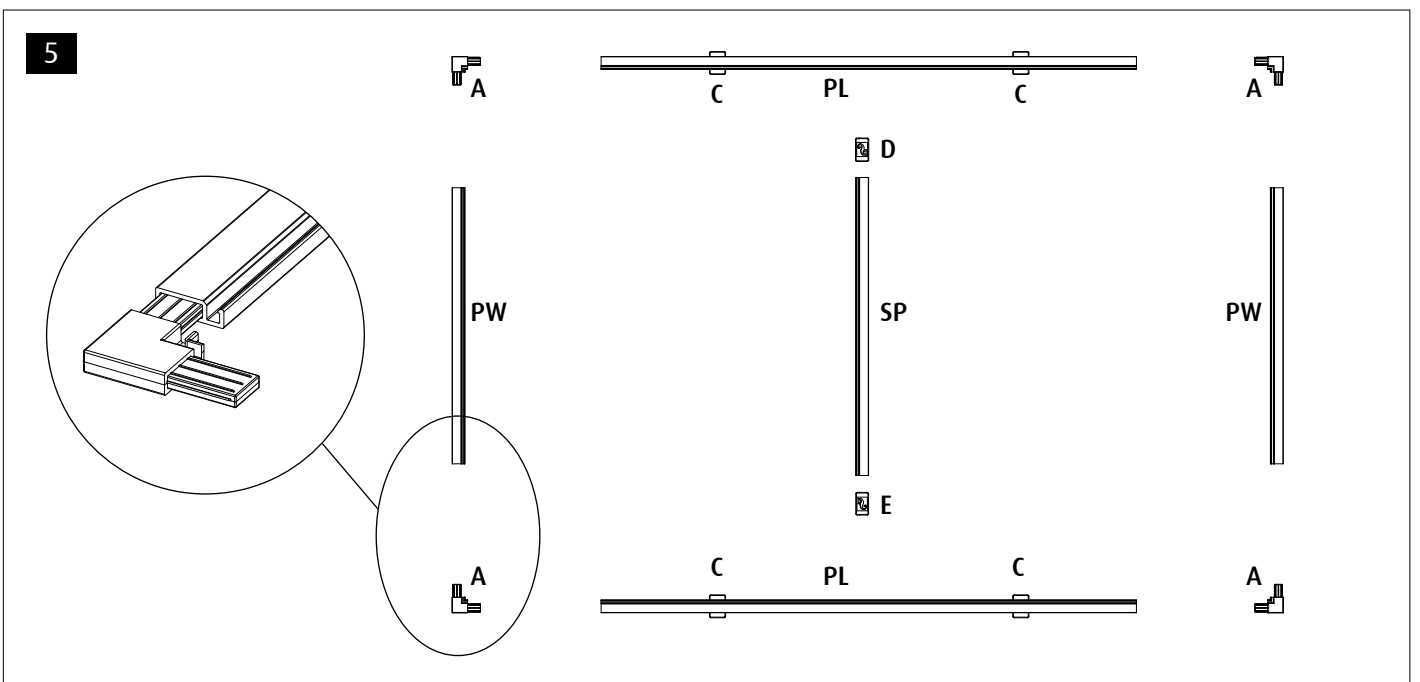
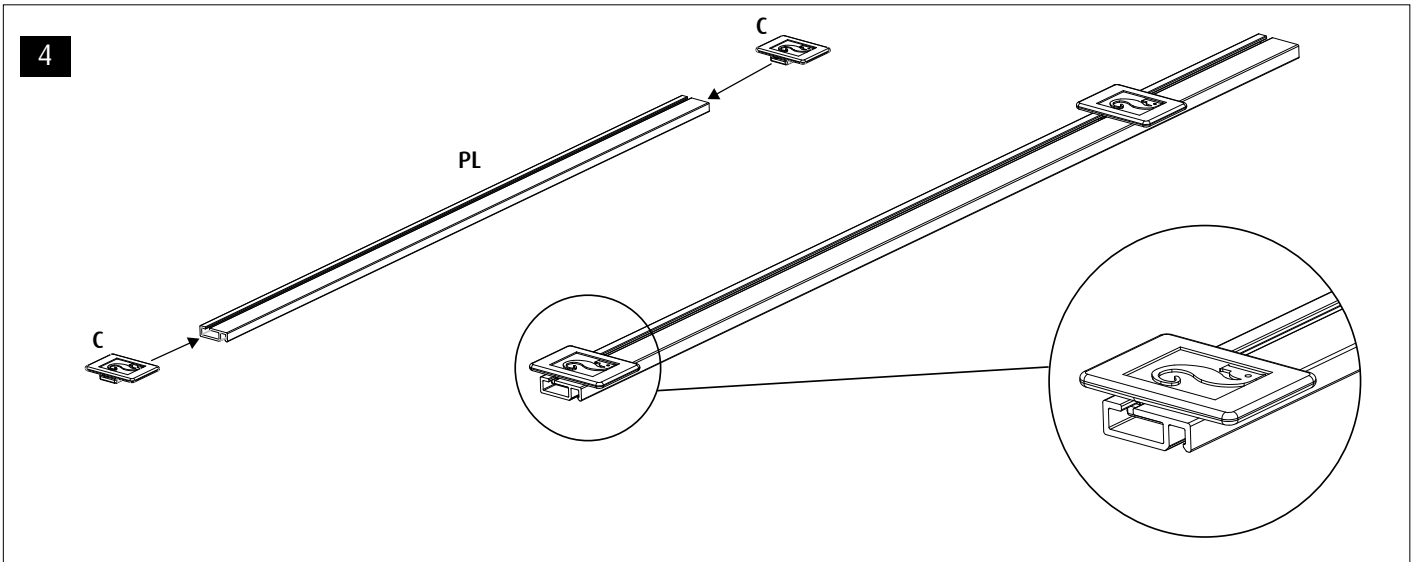
ITEM	A	B	C	D	E	P1	P2	P3	S	N	R
R42080	6	2	4	-	-	57cm/ 22.4" x4	-	10cm/ 3.9" x2	4m/ 13.1ft	2m/ 6.5ft	✓
R42081	6	2	4	1	1	88cm/ 34.6" x2	57cm/ 22.4" x3	10cm/ 3.9" x2	6m/ 19.6ft	3m/ 9.8ft	✓
R42082	6	2	6	1	1	118cm/ 46.4" x2	75cm/ 29.5" x3	10cm/ 3.9" x2	6m/ 19.6ft	3m/ 9.8ft	✓
R42083	10	2	10	2	2	149cm/ 58.6" x2	75cm/ 29.5" x4	10cm/ 3.9" x2	8m/ 26.2ft	4m/ 13.1ft	✓
R42084	10	2	10	3	3	179cm/ 70.4" x2	75cm/ 29.5" x5	10cm/ 3.9" x2	8m/ 26.2ft	4m/ 13.1ft	✓
R42087	-	-	4	-	-						

R42085

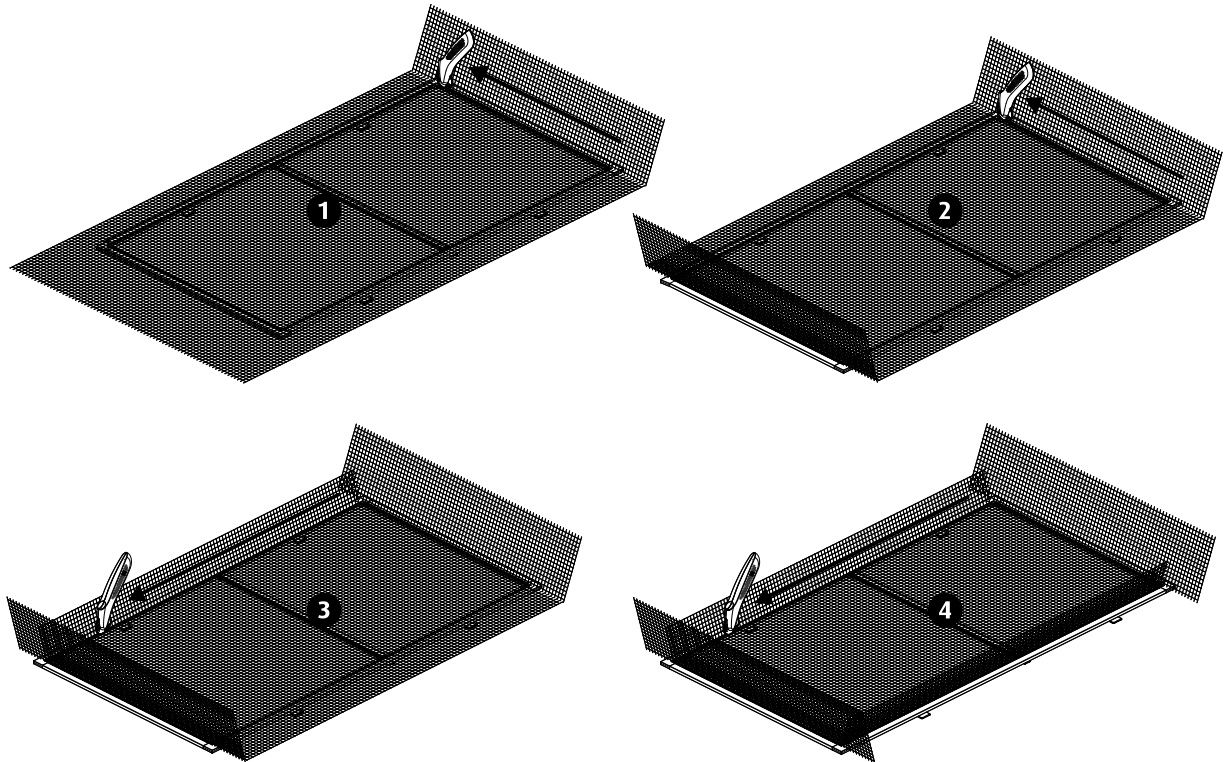
NOT INCLUDED / NICHT ENTHALTEN / NON FOURNI / 不包含 / 付属していません



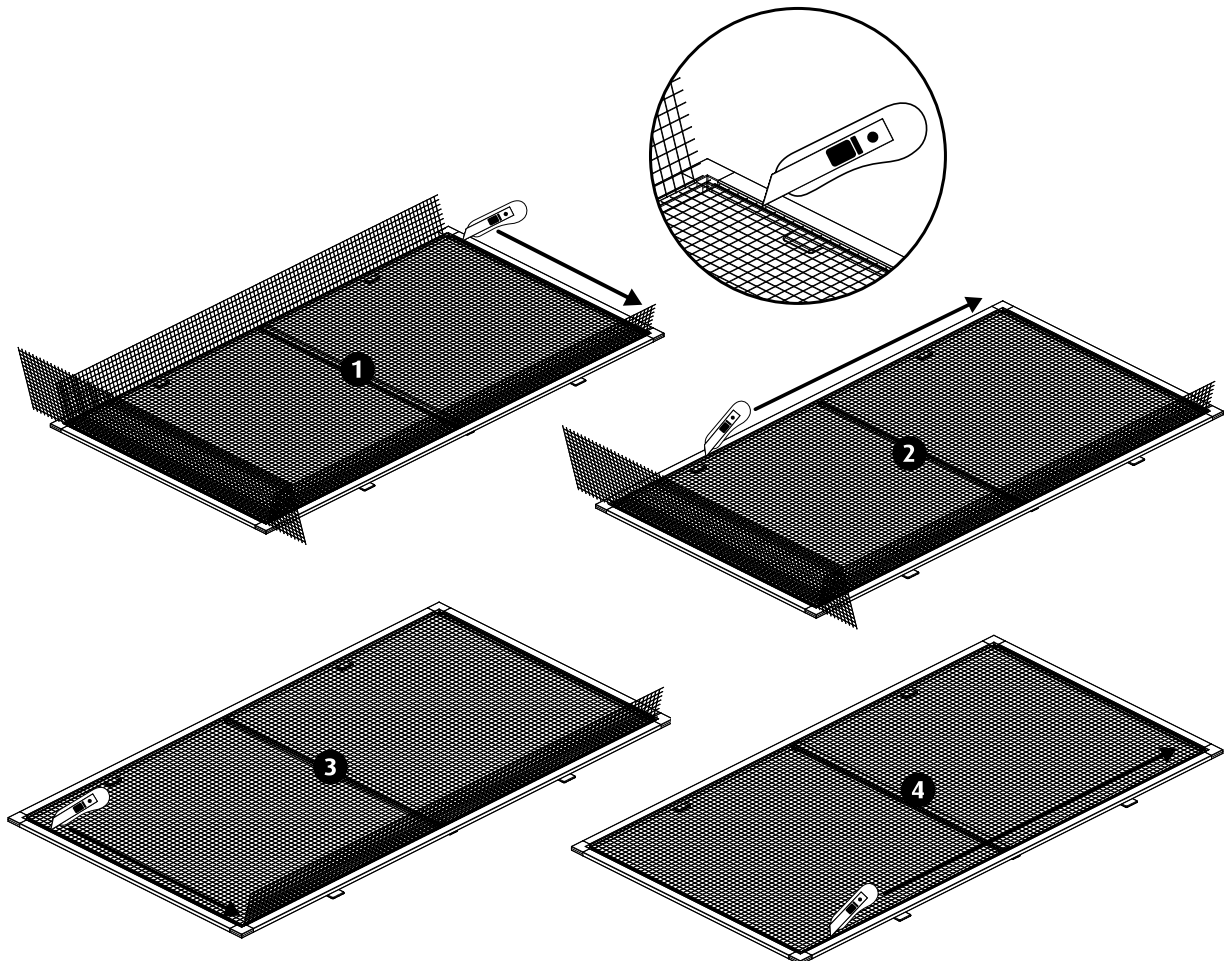




9



10



North America

Red Sea U.S.A & Canada
4687 World Houston
Parkway #150
Houston, TX 77032, U.S.A
Tel. : +1-888-RED-SEA9
usa.info@redseafish.com

UK & Ireland

Red Sea Aquatics (UK) Ltd
PO Box 1237
Cheddar, BS279AG
Tel. : +44 (0) 203 3711437
Fax : +44 (0) 800 0073169
uk.info@redseafish.com

Europe

Red Sea Europe
ZA de la St-Denis
F-27130 Verneuil s/Avre,
France
Tel: (33) 2 32 37 71 37
eur.info@redseafish.com

Germany & Austria

Red Sea Deutschland
Büro Deutschland
Prinzenallee 7 (Prinzenpark)
40549 Düsseldorf
Tel: 0211-52391 481
info.de@redseafish.com

Asia Pacific

Red Sea Aquatics Ltd
2310 Dominion Centre
43-59 Queen's Road East
Hong Kong
Tel: +86-020-6625 3828
info.china@redseafish.com

China

Red Sea Aquatics (GZ) Ltd.
Block 2-4, No.168, West Yingbin
Road, Xinhua Industrial Park,
Huadu District, Guangzhou City,
China, Postal code 510812
Tel: +86-020-6625 3828
info.china@redseafish.com