

# DIY AQUARIUM NET COVER

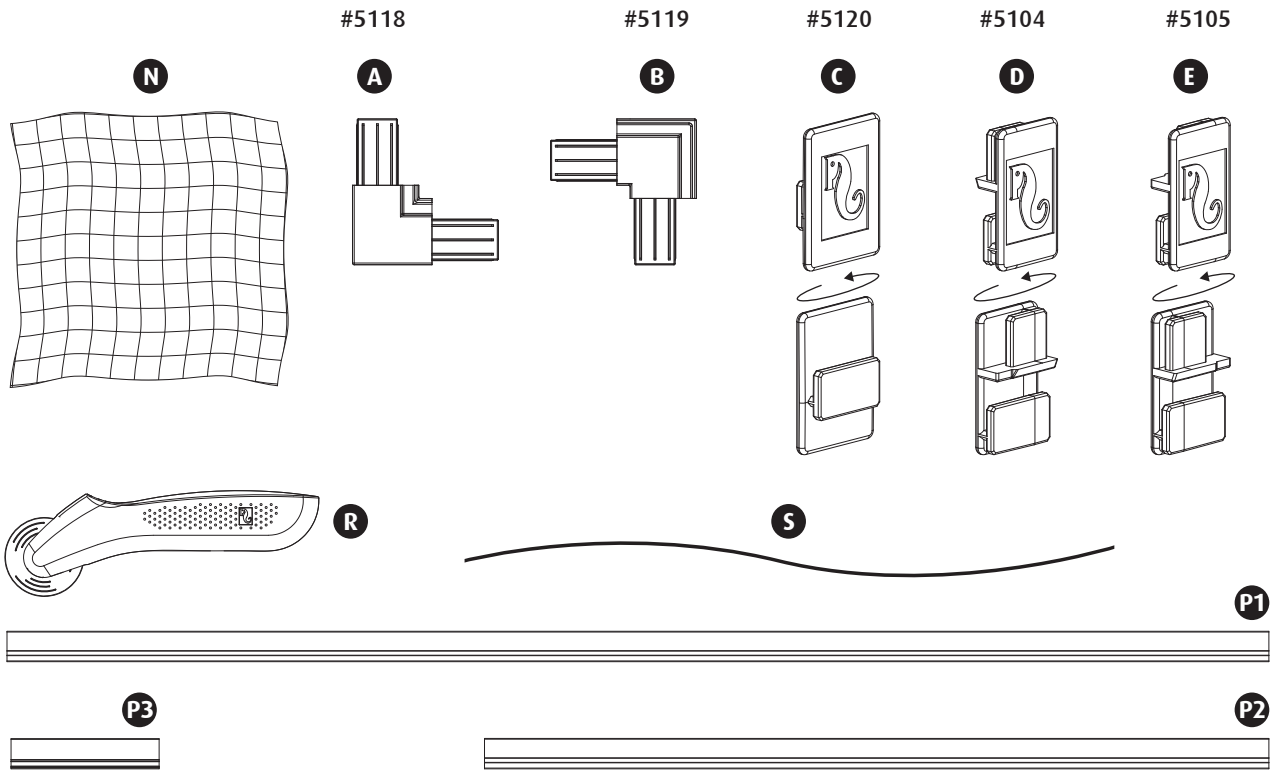
## MAX NANO G2 Peninsula

- EN** Profile Cutting Guide
- DE** Profilschneideanleitung
- FR** Guide de découpe
- CH** 型材裁切指南
- JP** フレームカッティングガイド



Resource & Support Center:  
[www.redseafish.com/support/](http://www.redseafish.com/support/)

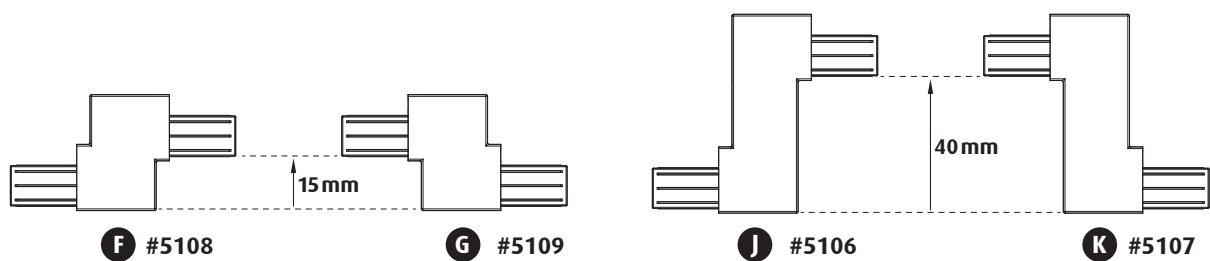


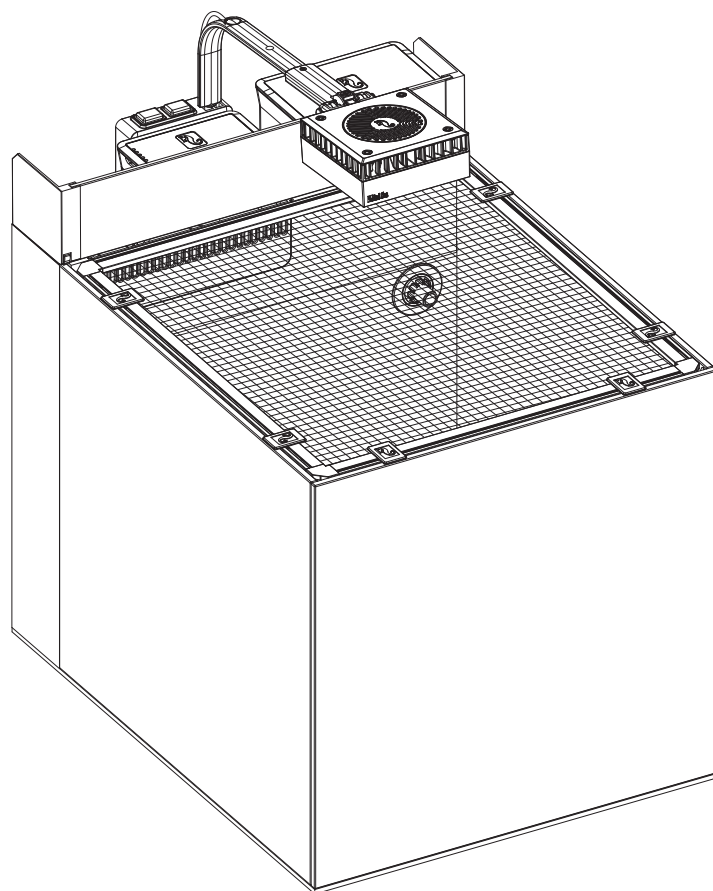


ITEM	A	B	C	D	E	P1	P2	P3	S	N	R
R42080	6	2	4	-	-	57cm/ 22.4" <b>x4</b>	-	10cm/ 3.9" <b>x2</b>	4m/ 13.1ft	2m/ 6.5ft	✓
R42081	6	2	4	1	1	88cm/ 34.6" <b>x2</b>	57cm/ 22.4" <b>x3</b>	10cm/ 3.9" <b>x2</b>	6m/ 19.6ft	3m/ 9.8ft	✓
R42082	6	2	6	1	1	118cm/ 46.4" <b>x2</b>	75cm/ 29.5" <b>x3</b>	10cm/ 3.9" <b>x2</b>	6m/ 19.6ft	3m/ 9.8ft	✓
R42083	10	2	10	2	2	149cm/ 58.6" <b>x2</b>	75cm/ 29.5" <b>x4</b>	10cm/ 3.9" <b>x2</b>	8m/ 26.2ft	4m/ 13.1ft	✓
R42084	10	2	10	3	3	179cm/ 70.4" <b>x2</b>	75cm/ 29.5" <b>x5</b>	10cm/ 3.9" <b>x2</b>	8m/ 26.2ft	4m/ 13.1ft	✓
R42087	-	-	4	-	-						

**R42085**

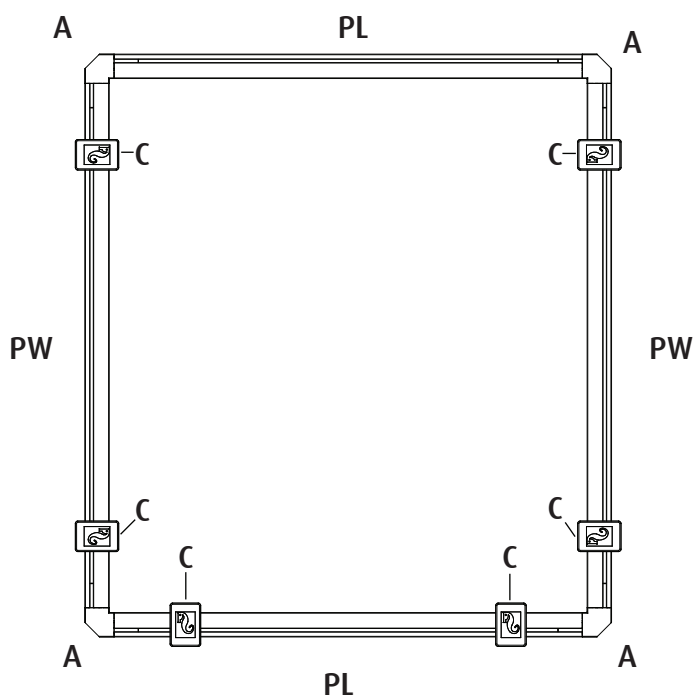
NOT INCLUDED / NICHT ENTHALTEN / NON FOURNI / 不包含 / 付属していません





1x R42080  
1x R42087

1 Panel / 1 panneau / 1 Element / 网屏1 / 1パネル



Cutting guide  
 Guide de découpes  
 Schnittanleitung  
 裁切指南  
 カッティングガイド

Profile Profil Profile 型材 フレーム	Cut 1 Couper 1 Schnitt 1 裁切 1 カット1
P1 - R42080 570mm / 22 7/16"	PL - 384mm / 15 1/8"
P1 - R42080 570mm / 22 7/16"	PL - 384mm / 15 1/8"
P1 - R42080 570mm / 22 7/16"	PW - 419mm / 16 1/2"
P1 - R42080 570mm / 22 7/16"	PW - 419mm / 16 1/2"

*North America*

**Red Sea U.S.A & Canada**  
 4687 World Houston  
 Parkway #150  
 Houston, TX 77032, U.S.A  
 Tel. : +1-888-RED-SEA9  
 usa.info@redseafish.com

*UK & Ireland*

**Red Sea Aquatics (UK) Ltd**  
 PO Box 1237  
 Cheddar, BS279AG  
 Tel. : +44 (0) 203 3711437  
 Fax : +44 (0) 800 0073169  
 uk.info@redseafish.com

*Europe*

**Red Sea Europe**  
 ZA de la St-Denis  
 F-27130 Verneuil s/Avre,  
 France  
 Tel: (33) 2 32 37 71 37  
 eur.info@redseafish.com

*Germany & Austria*

**Red Sea Deutschland**  
 Büro Deutschland  
 Prinzenallee 7 (Prinzenpark)  
 40549 Düsseldorf  
 Tel: 0211-52391 481  
 info.de@redseafish.com

*Asia Pacific*

**Red Sea Aquatics Ltd**  
 2310 Dominion Centre  
 43-59 Queen's Road East  
 Hong Kong  
 Tel: +86-020-6625 3828  
 info.china@redseafish.com

*China*

**Red Sea Aquatics (GZ) Ltd.**  
 Block 2-4, No.168, West Yingbin  
 Road, Xinhua Industrial Park,  
 Huadu District, Guangzhou City,  
 China, Postal code 510812  
 Tel: +86-020-6625 3828  
 info.china@redseafish.com